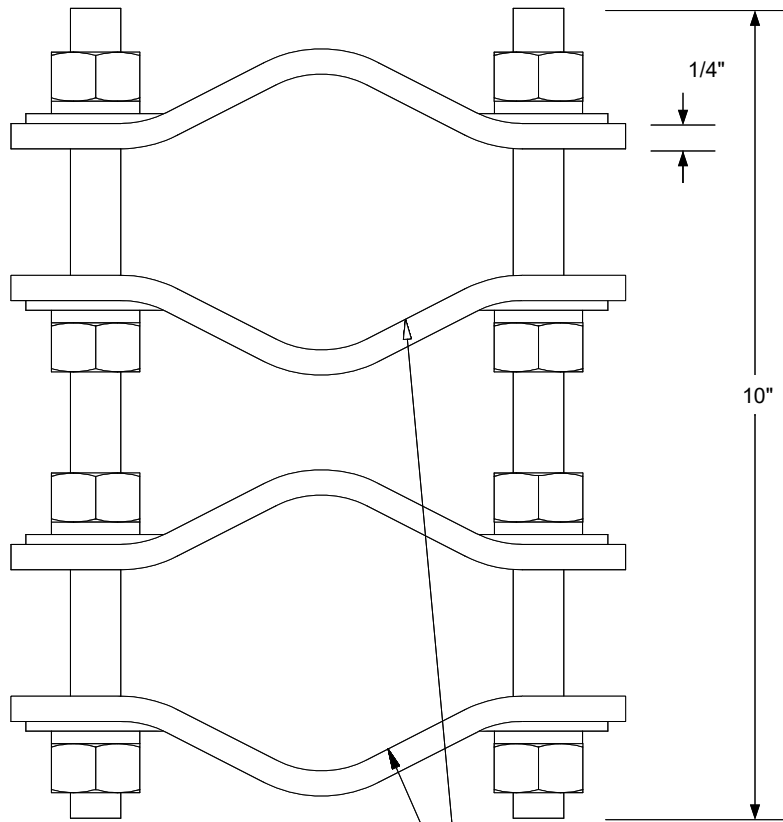


TITLE

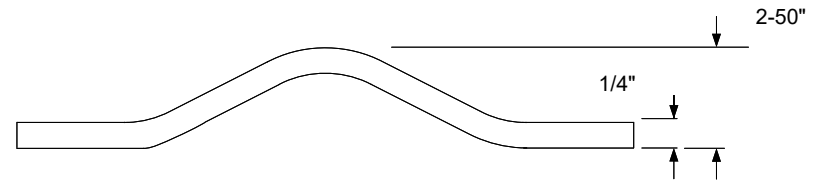
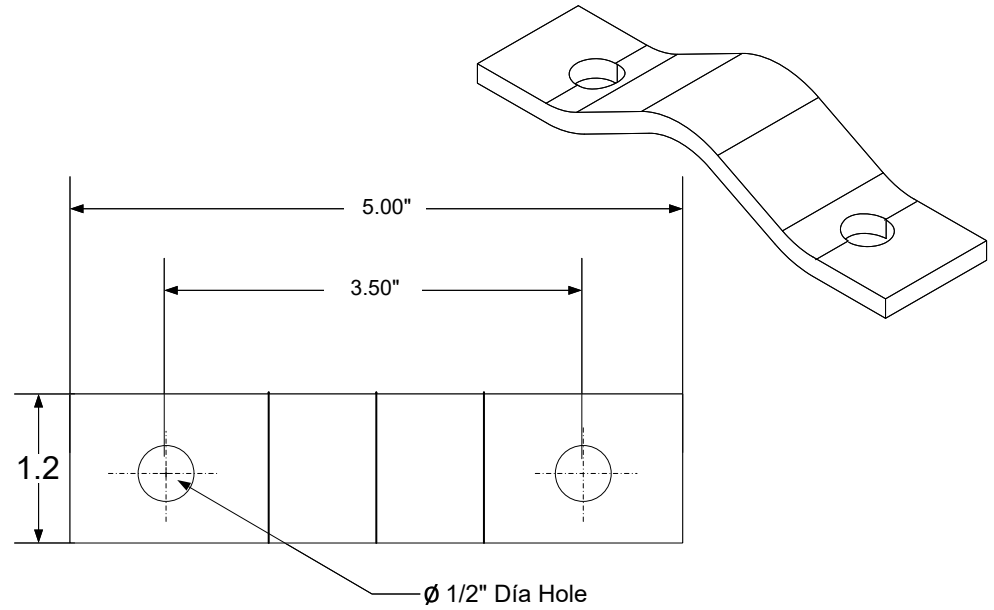
PART # 3S-10-10

Parts List

| QTY. | | |
|------|------------------------|----------------------|
| 4 | 1/4" THICK, 5.00" LONG | CLAMP HALF |
| 2 | 3/8" x 10" | HDG THREADED ROD |
| 8 | 3/8" | HDG HEAVY 2H HEX NUT |
| 8 | 3/8" | HDG LOCKWASHER |
| 8 | 3/8" | HDG USS FLATWASHER |



FITS 1-50" TO 2-7/8" PIPE O.D.



| | | | |
|---|---|--|---|
| DESCRIPTION Heavy Duty Antenna Pipe Pipe Mount 1.75" to 2.78" | Visit us on the web at www.3starinc.com Contact Email: support@3starinc.com Phone: (804)550-7202 | | |
| |  | | 9487 King Air Ct. Unit C Ashland, VA 23005 USA |
| | | | |